

90CM 5 BURNER GAS HOB DPE7929XF



- Stainless steel + black enameled steel
- Total power: 11500W
- Integrated electrical ignition
- Cast iron grid
- Individual frontal knob control
- Delivered in Natural Gas
- Can be used in both Natural Gas and LPG
- LPG nozzles included
- Thermocouple safety device



Cooking Zones	#1	#2	#3	#4	#5
Type of burner	Double Crown	Auxiliary	Semi Rapid	Semi Rapid	Grand Rapid
Position of zone	Left center	Center front	Center rear	Right front	Right rear
Max diameter pot size (mm)	24	14	18	18	22
Max power of zone (W)	4000	1000	1750	1750	3000

90CM 5 BURNER GAS HOB DPE7929XF



Electrical Connections

- Current (A): 10
- Voltage (V): 220 -240
- Frequency (Hz): 50
- Length of electrical supply cord (cm): 100
- Type of plug: Without

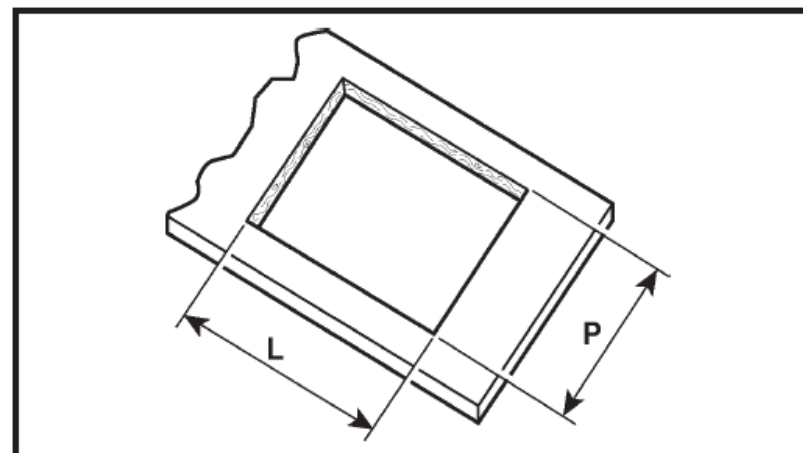
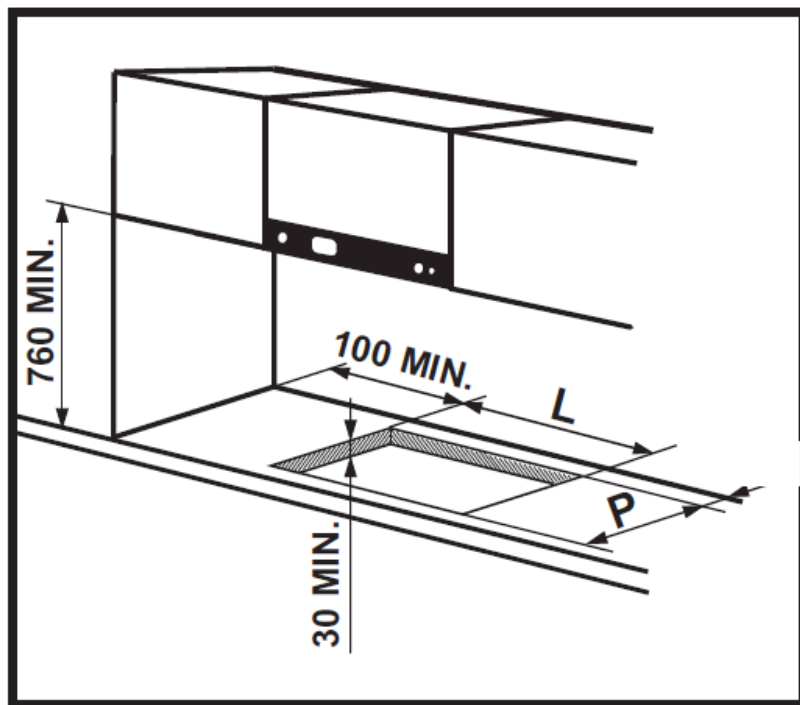
Dimensions

- Dimension of product (mm): W900 x D510
- Built in dimensions (mm): W860 x D480
- Net weight (kg): 16
- Gross weight (kg): 17.4

90CM 5 BURNER GAS HOB DPE7929XF



INSTALLATION DIAGRAM



	L	P
DPE7620XF	560	480
DPE7729XF	720	480
DPE7929XF	860	480