

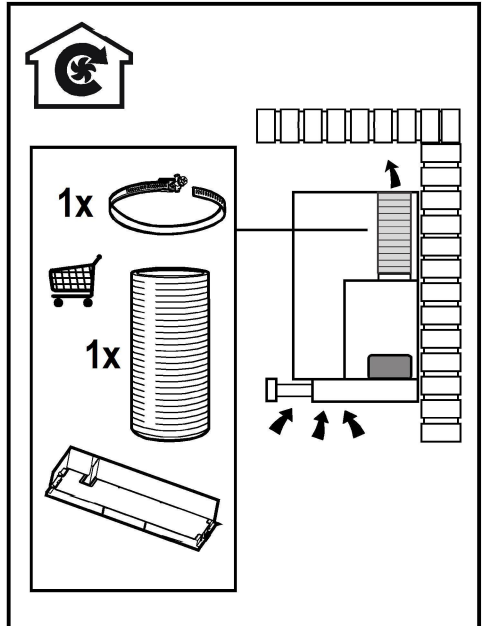
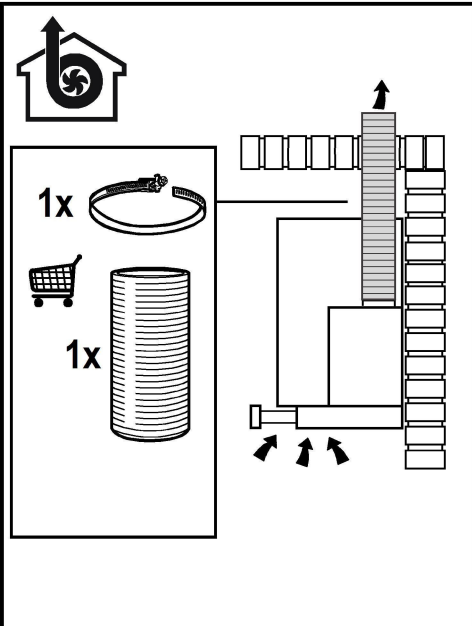
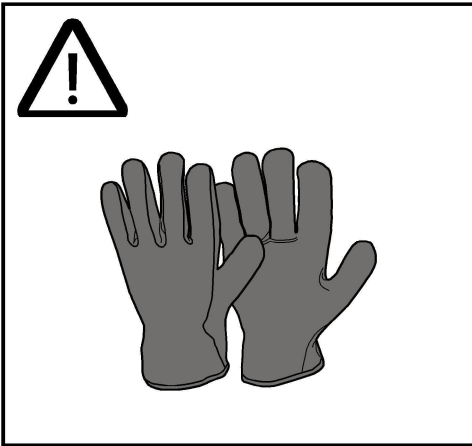
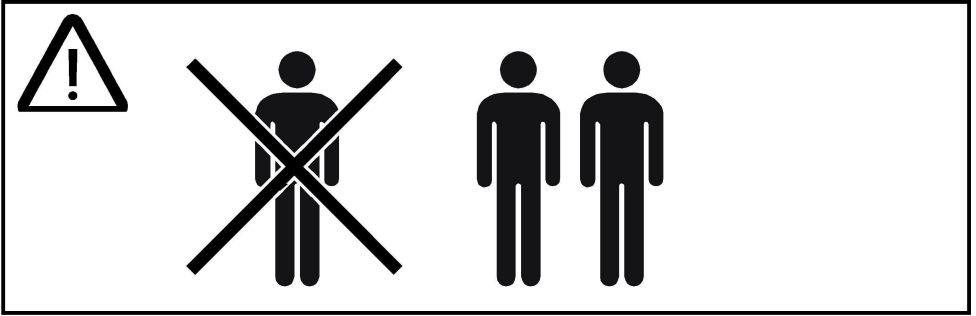
FR PRESCRIPTIONS DE MONTAGE ET MODE D'EMPLOI  
EN INSTRUCTION ON MOUNTING AND USE  
DE MONTAGE- UND GEBRAUCHSANWEISUNG  
NL MONTAGEVOORSCHRIFTEN EN GEBRUIKSAANWIJZINGEN  
EL ΟΔΗΓΙΕΣ ΣΥΝΑΡΜΟΛΟΓΗΣΗΣ ΚΑΙ ΧΡΗΣΗΣ  
IT ISTRUZIONI DI MONTAGGIO E D'USO  
PT INSTRUÇÕES PARA MONTAGEM E UTILIZAÇÃO  
DA BRUGER- OG MONTERINGSVEJLEDNING  
SV MONTERINGS- OCH BRUKSANVISNINGAR

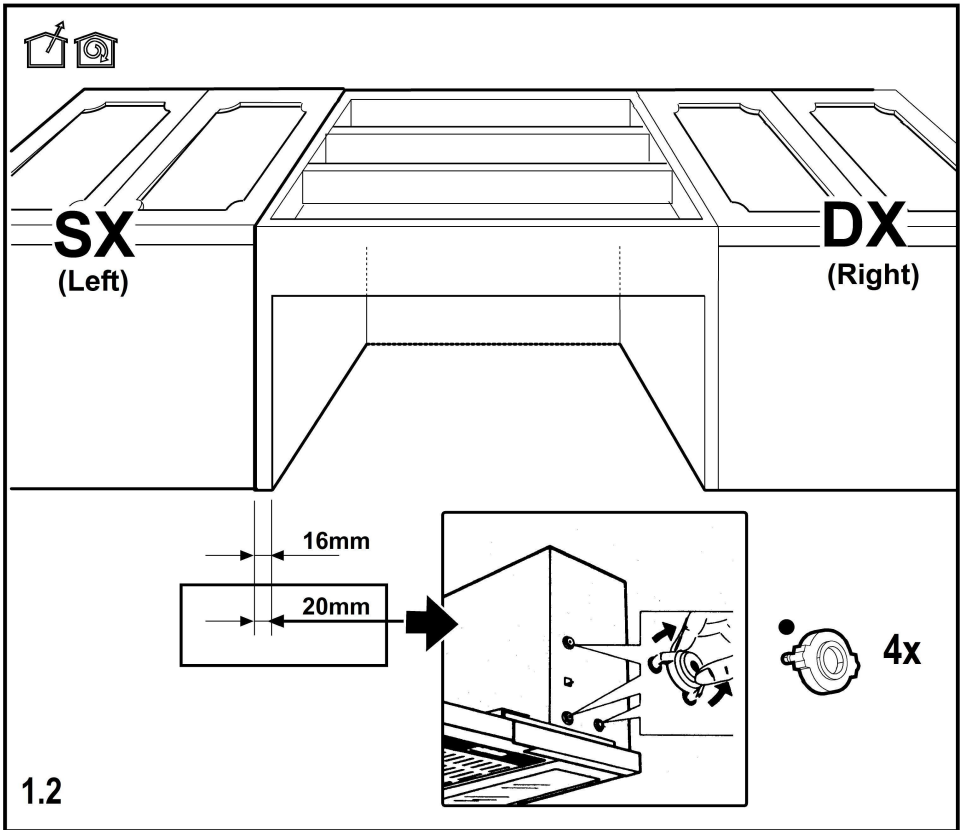
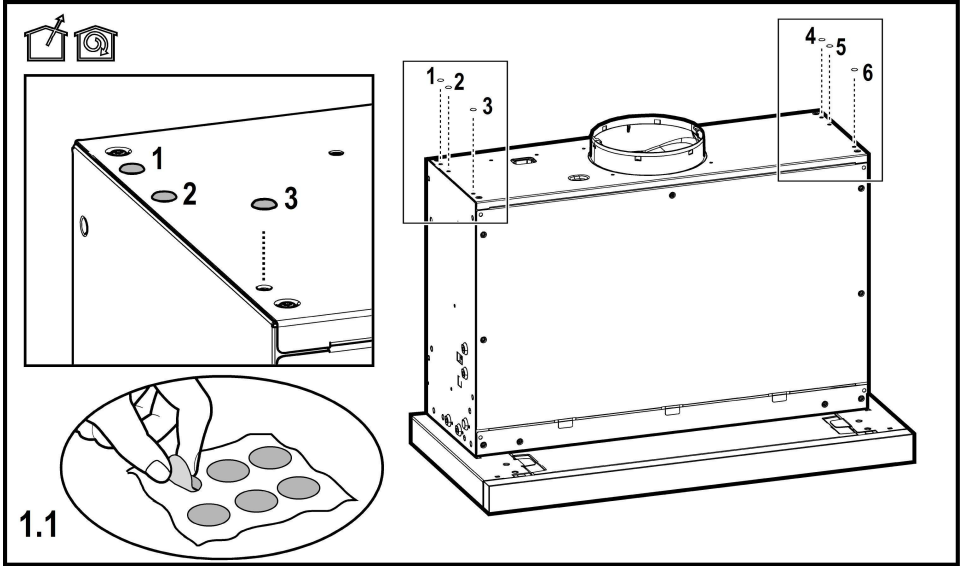
**Hotte aspirante**  
**Cooker Hood**  
**Dunstabzugshaube**  
**Afzuigkap**  
**Αποροφητήρας**  
**Capra aspirante**  
**Exaustor**  
**Emhætte**  
**Köksfläkt**

**De Dietrich** 

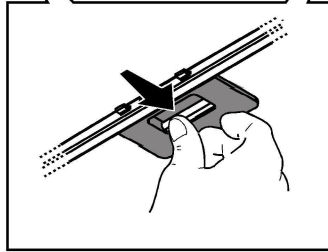
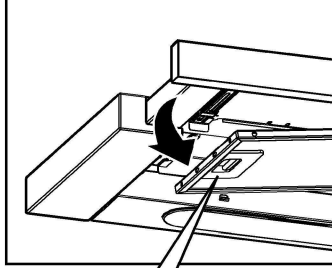
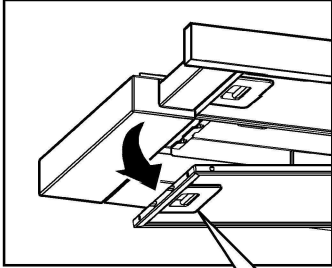
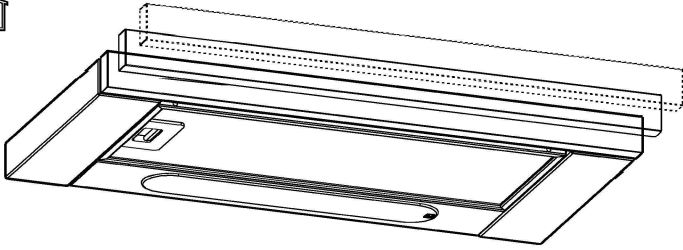




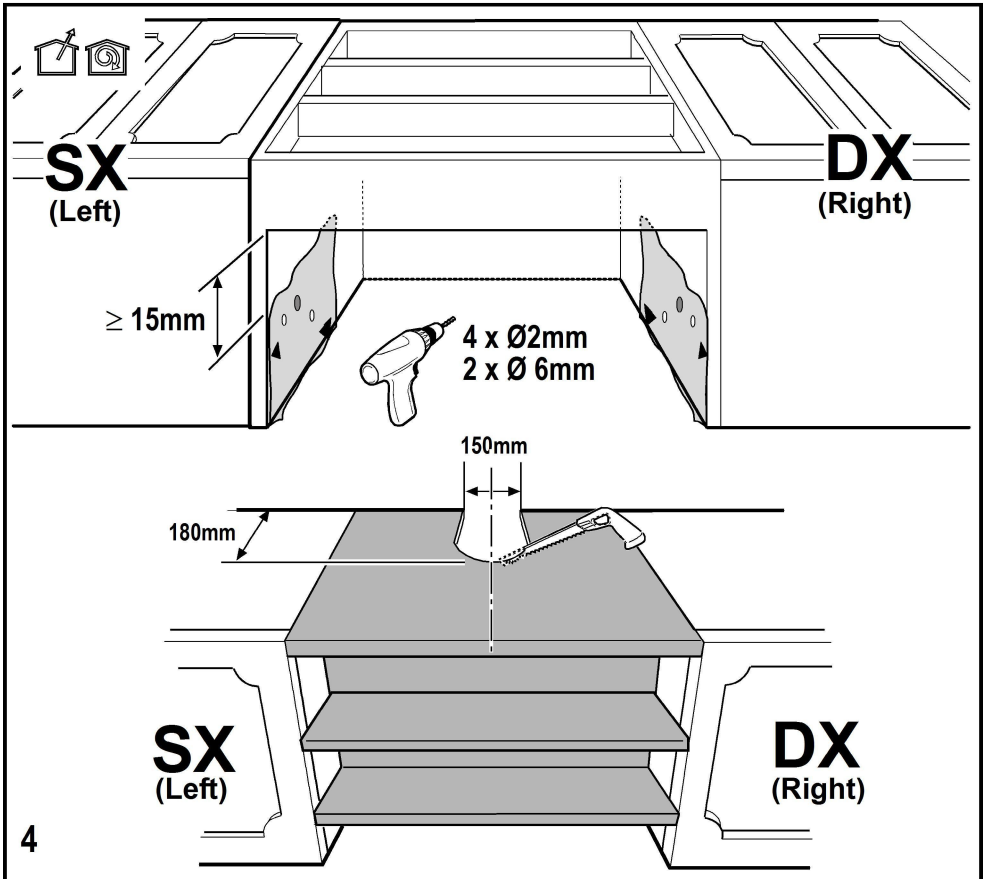
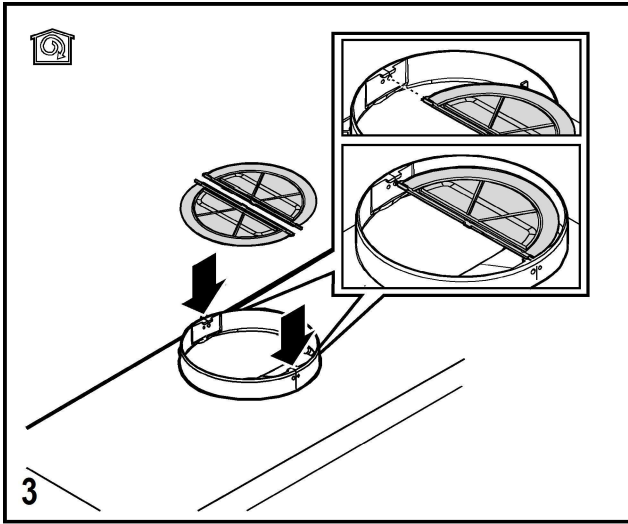


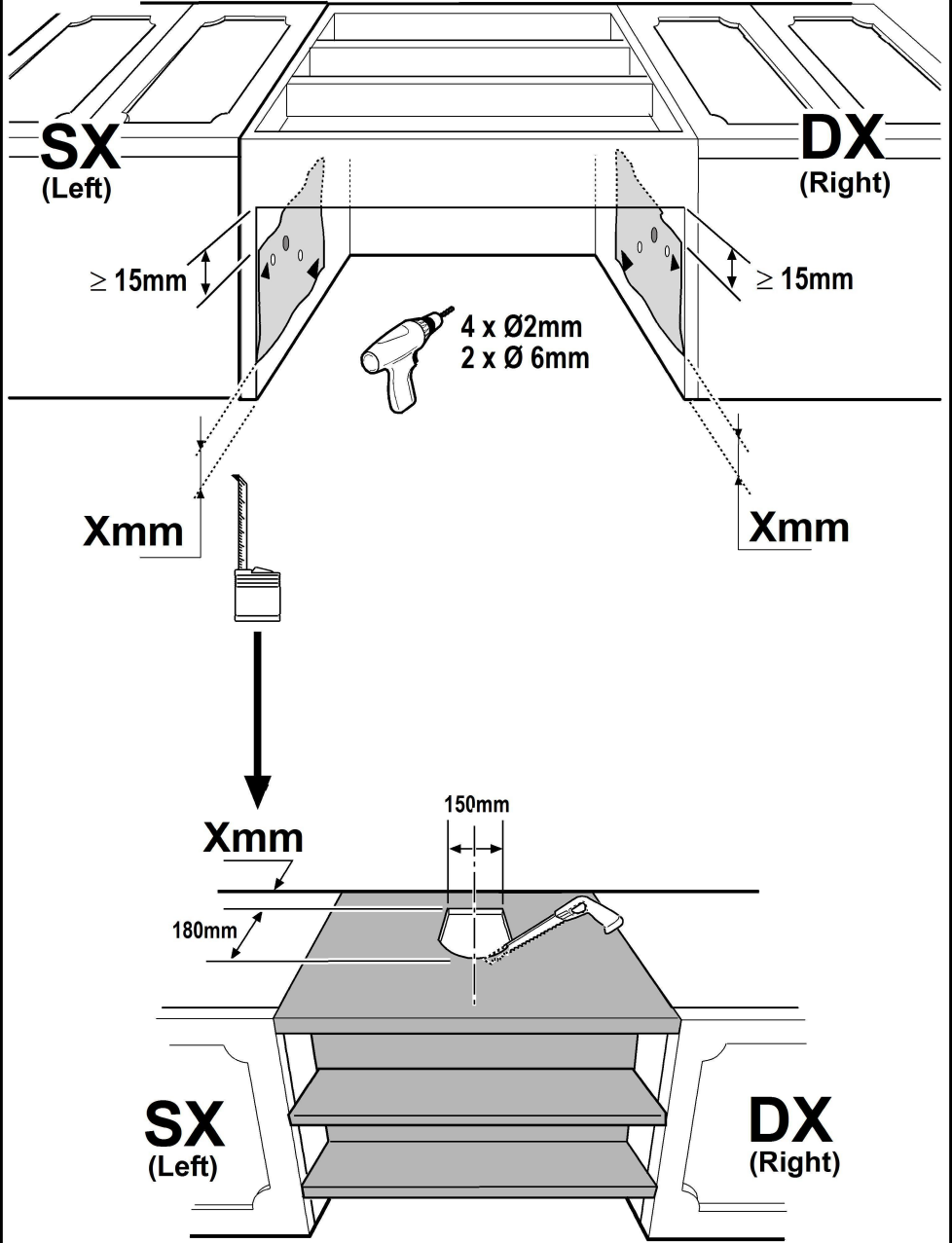






2

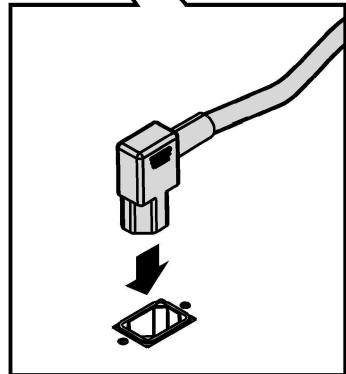
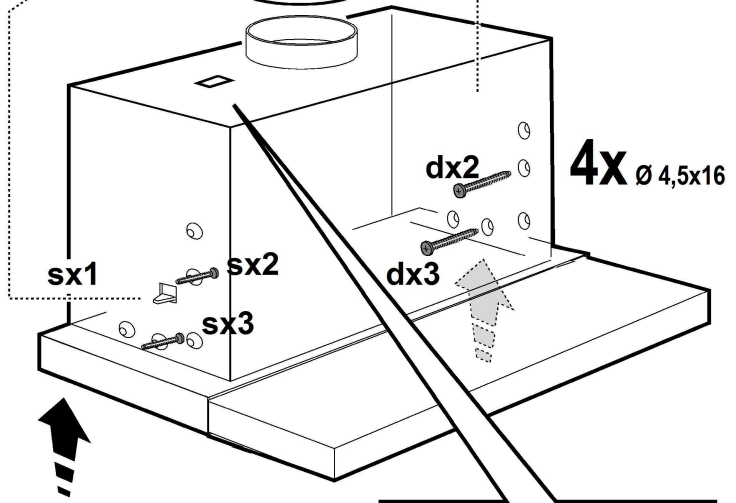
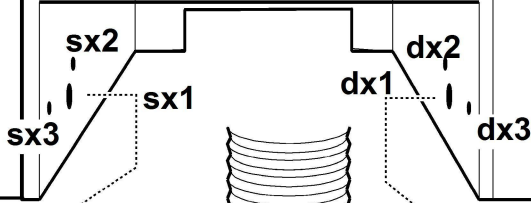


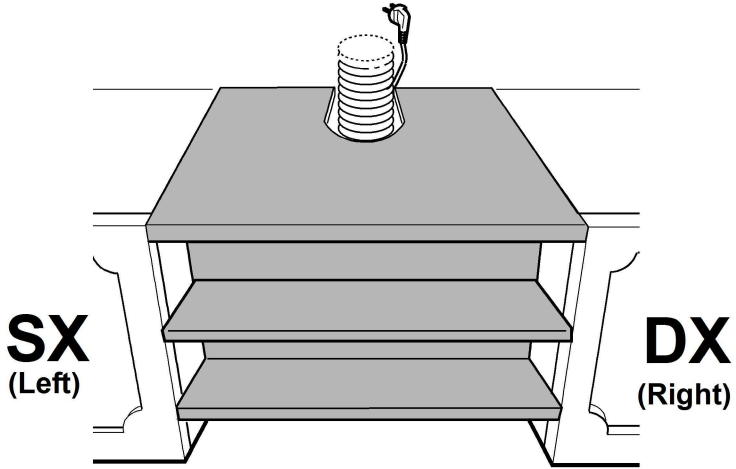




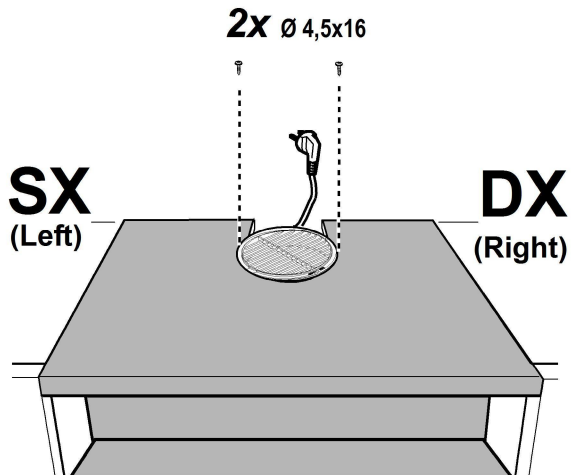
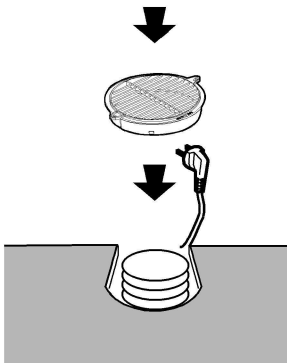
**SX**  
(Left)

**DX**  
(Right)







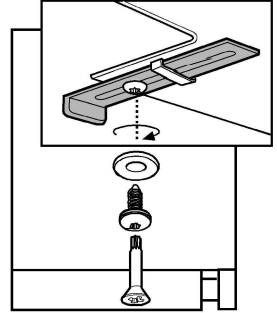
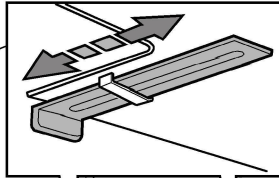
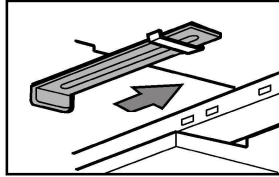
7a



7b




2 x   
Ø 3,5x5  
2 x 

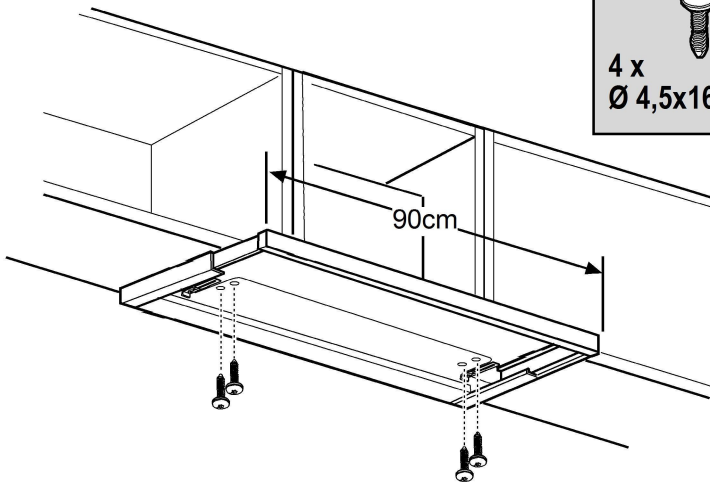


**OK!**

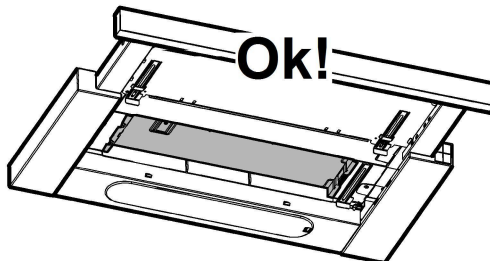
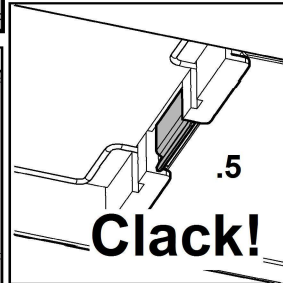
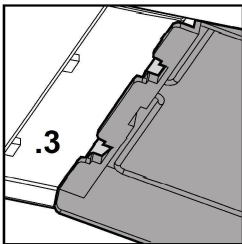
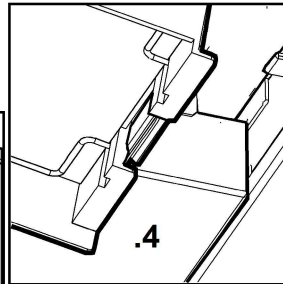
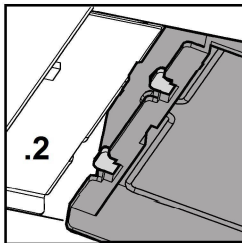
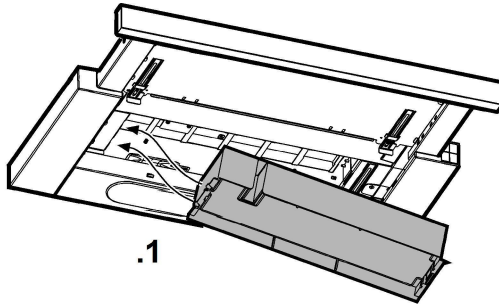
8

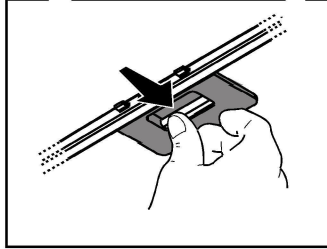
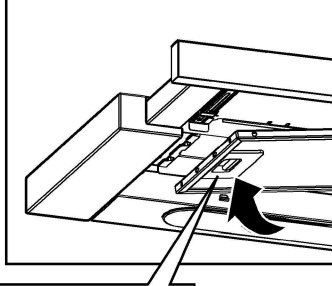
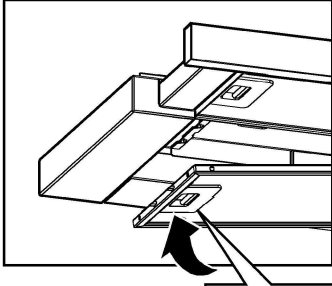
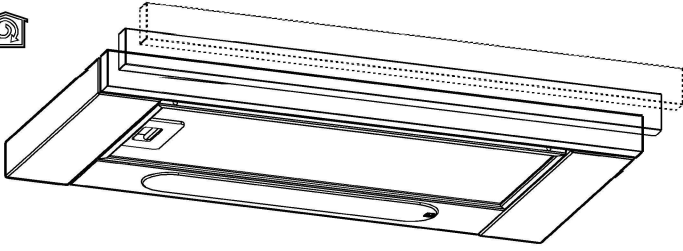


4 x   
Ø 4,5x16



9





11



*Dear valued customer,*

*To discover a De Dietrich product is to experience the range of unique emotions which only high-value items can produce.*

*The attraction is immediate, from the moment you set eyes on the product. The sheer quality of the design shines through thanks to the timeless style and outstanding finishes which make each appliance an elegant and refined little masterpiece in its own right, each in perfect harmony with the others.*

*Next, comes the irresistible urge to touch it. De Dietrich's design makes extensive use of robust and prestigious materials. The accent is placed firmly upon authenticity.*

*By combining state-of-the-art technology with top quality materials, De Dietrich produces beautifully crafted products to help you get the most from the culinary arts, a passion shared by all lovers of cooking and fine food.*

*We hope that you enjoy using this new appliance and we would love to receive your suggestions and to answer any questions you may have. Please feel free to contact our customer service department via our website.*

*To benefit from the many advantages offered by the brand, we recommend that you register your product at: [www.de-dietrich.com](http://www.de-dietrich.com).*

*Thank you for choosing a De Dietrich product.*

*De Dietrich*

*You can find a full range of information about the brand at [www.de-dietrich.com](http://www.de-dietrich.com)*

*Visit the De Dietrich Gallery, 6 rue de la Pépinière (Paris eighth district)*

*Open from Tuesday to Saturday from 10 am to 7 pm*

*Customer service department: 0892 02 88 04*

[www.dedietrich-electromenager.com](http://www.dedietrich-electromenager.com) 

*As part of our commitment to constantly improving our products, we reserve the right to make changes to them based on advances to their technical, functional and/or aesthetic properties.*



**Important:**

**Before installing and using your appliance, please read this Installation and Usage Guide carefully, as it will allow you to quickly familiarise yourself with its operation.**

# Contents

- EN - Safety and important precautions ..... 25**
- Instruction on mounting and use ..... 27**
- Use ..... 27**
- Installation ..... 27**
  - Electrical connection..... 27
  - Mounting ..... 27
- Operation ..... 28**
- Maintenance ..... 29**
  - Cleaning ..... 29
  - Grease filter..... 29
  - Charcoal filter (filter version only)..... 29
  - Replacing lamps..... 29
- Troubleshooting..... 30**
- After-sales service ..... 30**

## EN - Safety and important precautions

These instructions are also available on the web site.

Please take heed of this advice when installing and using your appliance. These instructions are intended to protect your safety and the safety of others. Keep this manual with your appliance. If you sell or give the appliance to anyone else, make sure that you also give them this manual.

- In order to constantly improve our products, we reserve the right to make changes to their technical, functional or aesthetic characteristics in line with technological progress.
- Make a note of the references of your appliance on the "Consumer Service" page so that you can readily find them in future.

### Important precautions

- This appliance is designed for use by consumers in the home. Do not use it for commercial or industrial purposes or for any other purpose for which it is not intended.
- Unpack the appliance as soon as you receive it. Check its general appearance. Make a note of any reservations on the delivery slip and keep a copy.
- This appliance can be used by children aged under 8 and by persons with diminished physical, sensory or mental capacities, or persons without any experience or knowledge, provided that they are properly attended to or are given the instructions on how to use the appliance in complete safety and that any potential risks are anticipated. Children must not play with this appliance. The appliance must not be cleaned and maintained by unattended children.
- **Caution:** The accessible parts of this appliance may become hot when used with cooking equipment.

### Electrical risks

- All the power supply circuits must be disconnected before touching the connection terminals. If the power cord is damaged, it must be replaced by the manufacturer, its after-sales service or a similarly qualified person in order to avoid any danger.
- The appliance can be disconnected by using an accessible power outlet or by incorporating a switch in the fixed lines, in accordance with the installation rules.
- Do not change or attempt to change the characteristics of this appliance. Doing so can be dangerous.
- The appliance must only be repaired by an approved specialist.
- Always disconnect the hood before cleaning or maintaining it.

- Never use steam or high-pressure tools to clean your appliance (for the purposes of electrical safety).
- Never use steam or high-pressure tools to clean your appliance (for the purposes of electrical safety).

### **Risk of asphyxiation**

- The regulations applying to the evacuation of air must be obeyed. The air must not be sent into a duct used to evacuate fumes from appliances that use gas or other fuels (this does not apply to appliances that only emit air into the room).
- The room must be suitably ventilated when the range hood is used at the same time as appliances that use gas or other fuels (this does not apply to appliances that only emit air into the room).

### **Risk of fire**

- It is forbidden to flambé food or to turn on gas rings that are not covered by a cooking recipient beneath the hood, as the flames may be sucked in and damage the appliance.
- Keep a constant eye on fryers used beneath the hood. When heated to very high temperatures, oil and fat can catch fire.
- Clean the appliance and replace the filters at the recommended frequency. Accumulated deposits of grease can cause a fire.
- It is forbidden to use the hood above a fuel fire (wood, coal, etc.).

## Instruction on mounting and use

**Note:** The parts marked with the symbol "(\*)" are optional accessories supplied only with some models or otherwise not supplied, but available for purchase.

### Use

The hood is conceived for the suction of cooking fumes and steam and is destined only for domestic use.

The hood is designed to be used either for exhausting or filter version.



### Extraction version

In this case the fumes are conveyed outside of the building by means of a special pipe connected with the connection ring located on top of the hood.

Diameter of the exhausting pipe must be equal to that of the connection ring (Ø 120 mm).

**Attention!** The exhausting pipe is not supplied and must be purchased apart.

In the horizontal runs the exhausting pipe must be slightly slanted (about 10°) and directed upwards to vent the air easily from the room to the outside.

**Attention!** If the hood is supplied with active charcoal filter, then it must be removed.

Connect the hood and discharge holes on the walls with a diameter equivalent to the air outlet (connection flange).

! Use a duct of the minimum indispensable length.

! Use a duct with as few elbows as possible (maximum elbow angle: 90°).

! Avoid drastic changes in the duct cross-section.

**Attention! If the hood is supplied with carbon filter, then it must be removed.**



### Filtration version

The aspirated air will be degreased and deodorised before being fed back into the room.

In order to use the hood in this version, you have to install a system of additional filtering based on activated charcoal.

### Installation

The minimum distance between the supporting surface for the cooking equipment on the hob and the lowest part of the range hood must be not less than 43cm from electric cookers and 65cm from gas or mixed cookers.

If the instructions for installation for the gas hob specify a greater distance, this must be adhered to.



### Electrical connection

The mains power supply must correspond to the rating indicated on the plate situated inside the hood. If provided with a plug connect the hood to a socket in compliance with current regulations and positioned in an accessible area, after installation. If it not fitted with a plug (direct mains connection) or if the plug is not located in an accessible area, after installation, apply a double pole switch in accordance with standards which assures the complete disconnection of the mains under conditions relating to over-current category III, in accordance with installation instructions.

### ▲ WARNING!

Before re-connecting the hood circuit to the mains supply and checking the efficient function, always check that the mains cable is correctly assembled.

The hood is provided with a special power cable ; if the cable is damaged, request a new one from Technical Service.

### Mounting

#### Before beginning installation:

- Check that the product purchased is of a suitable size for the chosen installation area.
- Remove the charcoal (\*) filter/s if supplied (see also relative paragraph). This/these is/are to be mounted only if you want to use the hood in the filtering version.
- Check (for transport reasons) that there is no other supplied material inside the hood (e.g. packets with screws (\*), guarantees (\*), etc.), eventually removing them and keeping them.

Expansion wall plugs are provided to secure the hood to most types of walls/ceilings. However, a qualified technician must verify suitability of the materials in accordance with the type of wall/ceiling. The wall/ceiling must be strong enough to take the weight of the hood.

**Do not tile, grout or silicone this appliance to the wall. Surface mounting only.**

**The hood can be installed on the bottom or on the sides of the kitchen wall unit**

#### Preparations for installation

1. Connect the power cable to the hood.
2. Remove the grease filter/s.
3. Remove, if installed, the charcoal filters (2, installed on the sides of the suction motor)

Proceed with the preferred type of installation (see "Installation on the bottom of the kitchen wall unit" or "Installation on the side of the kitchen wall unit")

### Installation on the bottom of the wall unit

4. Apply the drilling template on the bottom of the wall unit and drill the holes for the passage of screws, for the drain hole and for the electric cable.  
**Note:** Repeat the drilling for the exhaust pipe and electric cable also on the ceiling or on the back of the wall unit as needed.
5. Install the hood with the screws. Proceed with the adjustment of the drawer depth (see instructions under "**Adjusting the depth of the drawer**").

### Installation on the sides of the wall unit

6. Install the hooking rails on the sides of the wall unit with screws.  
**Note:** Attach the rails so that they are in line with the lower and the rear edge of the wall unit.
7. Install the side brackets to the hood with the screws.
8. Slide the hood using the newly installed brackets on the rails attached to the sides of the wall unit.
9. Adjust the position of the hood so that it is perfectly adherent to the wall unit.  
**Note:** To do this, loosen the screws that secure the side brackets (see installation sequence 7) and screw them back when finished.
10. Secure the hood with the screws. Proceed with the adjustment of the drawer depth (see instructions under "**Adjusting the depth of the drawer**").

### Adjusting the depth of the drawer

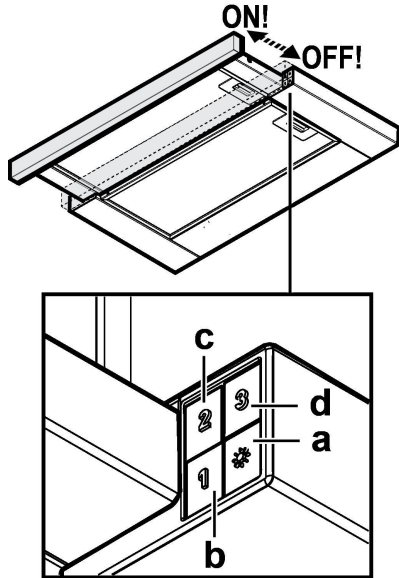
11. Install the adjustment brackets and secure them with the screws (not fully tighten).  
Push the drawer into the desired position and tighten the screws securing the adjustment brackets that will work as "closing stop" for the drawer.  
Proceed with finalizing the installation (see instructions under "**Finalizing Installation**").

### Finalizing Installation

12. Install an exhaust tube sufficiently long to reach the top of the wall unit (recirculation version) or outside (ducted version).  
Perform also the cable connection to the power supply of the house.
13. Install the charcoal filters if you decide to use the hood in recirculation mode, otherwise cannot be used.
14. Reinstall the grease filter/s.

### Operation

The hood is fitted with a control panel with aspiration speed selection control and a light switch to control cooking area lights.



- a. ON/OFF light switch
- b. Speed 1/OFF switch
- c. 2-speed selection
- d. 3-speed selection

## Maintenance

### Cleaning

Clean using **ONLY** a cloth dampened with neutral liquid detergent. **DO NOT CLEAN WITH TOOLS OR INSTRUMENTS.** Do not use abrasive products. **DO NOT USE ALCOHOL!**

### Grease filter

#### Fig. 2-11

#### Traps cooking grease particles.

**The grease filter** must be cleaned once a month using non aggressive detergents, either by hand or in the dishwasher, which must be set to a low temperature and a short cycle. When washed in a dishwasher, the grease filter may discolor slightly, but this does not affect its filtering capacity.

To remove the grease filter, pull the spring release handle.

### Charcoal filter (filter version only)

#### Fig. 10

#### It absorbs unpleasant odors caused by cooking.

The saturation of the **charcoal filter** occurs after more or less prolonged use, depending on the type of cooking and the regularity of cleaning of the grease filter.

In any case it is necessary to replace the cartridge at least every four months.

The charcoal filter may **NOT** be washed or regenerated.

Remove the grease filters.

Apply one charcoal filter each side and hook in onto the hood.

Refit the grease filter.

## CLEANING AND UPKEEP OF YOUR APPLIANCE

To keep your appliance in good working order, we recommend that you use **Clearit** household products.



*Professional expertise for the general public*

**Clearit** offers you professional products and adapted solutions for the daily upkeep of your household and kitchen appliances.

You may find them in conventional retail outlets, along with a complete line of by-products and consumables.

### Replacing lamps

The hood is equipped with a lighting system based on LED technology.


The LEDs guarantee an optimum lighting, a duration up to 10 times as long as the traditional lamps and allow to save 90% electrical energy.

For replacement, contact the technical service.

• This appliance is marked according to the European directive 2012/19/EC on Waste Electrical and Electronic Equipment (WEEE).

• By ensuring this product is disposed of correctly, you will help prevent potential negative consequences for the environment and human health, which could otherwise be caused by inappropriate waste handling of this product.



• The symbol  on the product, or on the documents accompanying the product, indicates that this appliance may not be treated as household waste. Instead it should be taken to the appropriate collection point for the recycling of electrical and electronic equipment. Disposal must be carried out in accordance with local environmental regulations for waste disposal.

• For further detailed information regarding the process, collection and recycling of this product, please contact the appropriate department of your local authorities or the local department for household waste or the shop where you purchased this product.

Appliance designed, tested and manufactured according to:

• Safety: EN/IEC 60335-1; EN/IEC 60335-2-31, EN/IEC 62233.

• Performance: EN/IEC 61591; ISO 5167-1; ISO 5167-3; ISO 5168; EN/IEC 60704-1; EN/IEC 60704-2-13; EN/IEC 60704-3; ISO 3741; EN 50564; IEC 62301.

• EMC: EN 55014-1; CISPR 14-1; EN 55014-2; CISPR 14-2; EN/IEC 61000-3-2; EN/IEC 61000-3-3. Suggestions for a correct use in order to reduce the environmental impact: Switch ON the hood at minimum speed when you start cooking and kept it running for few minutes after cooking is finished. Increase the speed only in case of large amount of smoke and vapor and use boost speed(s) only in extreme situations. Replace the charcoal filter(s) when necessary to maintain a good odor reduction efficiency. Clean the grease filter(s) when necessary to maintain a good grease filter efficiency. Use the maximum diameter of the ducting system indicated in this manual to optimize efficiency and minimize noise.

## Troubleshooting

SYMPTOMS	SOLUTIONS
The hood is not working...	Ensure that: <ul style="list-style-type: none"> <li>• The power is not cut off.</li> <li>• A speed has been selected.</li> </ul>
The hood is not operating effectively...	Ensure that: <ul style="list-style-type: none"> <li>• The selected motor speed is sufficient for the quantity of smoke and vapours to be cleared.</li> <li>• The kitchen is sufficiently ventilated to allow for fresh air intake.</li> <li>• The air pipe circuit involves a lack of efficiency of the cooker hoods. Contact a qualified technician.</li> <li>• The carbon filter is not worn (hood operating in recycling mode).</li> </ul>
The hood stopped working	Ensure that: <ul style="list-style-type: none"> <li>• The power is not cut off.</li> <li>• The single-pole cut-off device was not activated.</li> </ul>

## After-sales service

Any maintenance on your equipment should be undertaken by:

- either your dealer,
- or another qualified mechanic who is an authorized agent for the brand appliances.

When making an appointment, state the full reference of your equipment (model, type and serialnumber).

This information appears on the manufacturer's nameplate attached to your equipment.

