

80CM 4 ZONE PERFECT SENSOR INDUCTION HOB DPI7884XT



- Perfect Sensor probe
- 4 zones
- Intelligent touch control with digit display
- 19 power levels
- Booster
- 4 x independent timers
- Power tracker / Elapsed timer / Recall function
- 10 safety features:



- Residual heat indicator
- Small object safety
- Anti overflow
- Autostop® system
- Keypad lock
- Automatic saucepan detection
- Temperature limiter
- Low voltage, Connection error, Over Tension

Cooking Zones	#1 + #2	#3	#4
Position of zone	Left	Center	Front right
Size of zone (mm)	horiZonetech 400x230	280	160
Power (W)	3700	3700	2400

80CM 4 ZONE PERFECT SENSOR INDUCTION HOB DPI7884XT

De Dietrich 

Perfect Sensor

- There are three ways of using the perfect sensor probe
 1. View the temperature measured in the dish directly on the hob's display.
 2. Programme a temperature setpoint to be reached in the dish (Expert mode)
 3. Set the temperature thanks to the 6 cooking functions proposed.
- With the help of connected probe, the hob indicates in real time and to the nearest degree the temperature measured in your dish.
- Sensor probe detects temperature from 5°C - 180°C.

•6 Perfect Sensor functions:

- C1 - Expert mode
- C2 - Melt
- C3 - Vacuum cooking (Sous Vide)
- C4 - Warm
- C5 - Slow Cooking
- C6 - Boil

•Pairing:

- Pairing takes place only once when using the sensor for the first time or when replacing it.
- Once confirmed, sensor light will turn blue.
- Pairing only in needs to be done once.



**80CM 4 ZONE PERFECT SENSOR
INDUCTION HOB
DPI7884XT**



Electronic Connections

- Total power for connections: 7400W
- Current: 32amps
- Voltage: 220V – 240V
- Frequency: 50 / 60Hz
- Length of electrical supply cord: 130cm
- Type of plug: Not applicable

Dimensions

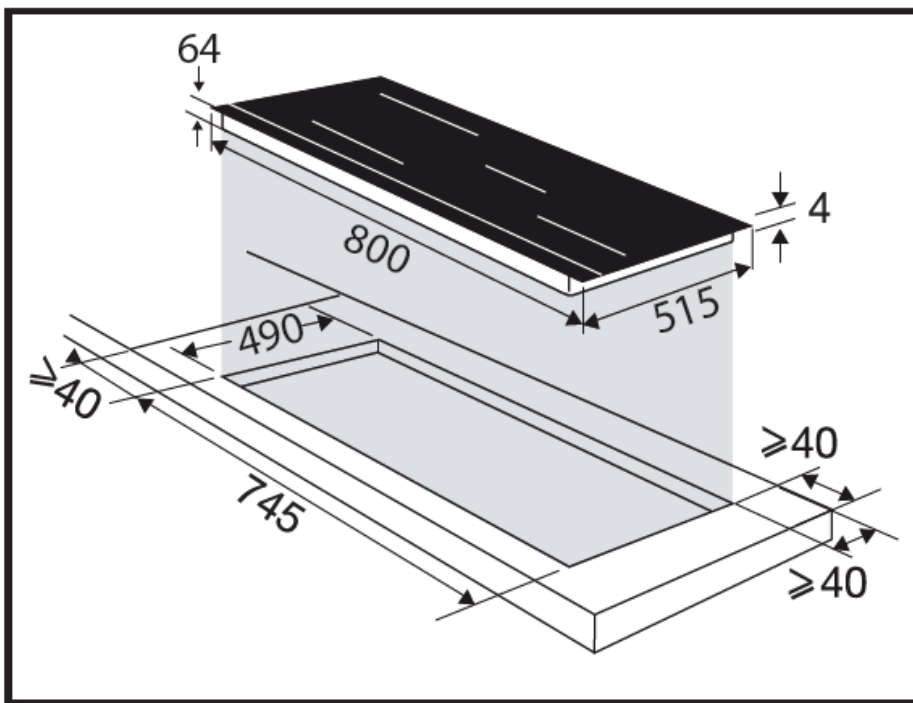
- Dimensions of overall product (mm): H68 x W800 x D515
- Built in dimensions (mm): W745 x D490
- Fully flushed dimensions (mm): W803 x D518
- Net weight (kg): 13.5
- Gross weight (kg): 14

80CM 4 ZONE PERFECT SENSOR
INDUCTION HOB
DPI7884XT



Installation Diagram

Built in dimensions



Fully flushed dimensions

