

# 60CM FULLY INTEGRATED DISHWASHER DCJ632DQX



- Fully integrated
- 16 place settings
- BLDC motor
- Drying system: Natural Conv. with automatic door opening
- Interior light
- 9.5L water consumption
- 42dBA
- Full Electronic controls with the remaining time and temperature display
- 24hr delay start w
- End of cycle indicator: Spotlight indicator + Alarm
- 9 washing programs
- 6 washing temperatures: 55°C - 72 °C
- Options: Half load, Express, Drying Plus, Clean Jet system
- Salt and Rinse aid indicator
- Adjustable upper basket with tilt
- Mezzanine cutlery baskets (removable)
- Max. plate size for lower / upper baskets(mm): 330mm / 250mm



Cabinetry panel not included

# 60CM FULLY INTEGRATED DISHWASHER DCJ632DQX



## **Electrical Connections**

- Total power (W): 1930
- Current (A): 10
- Voltage (V): 220 – 240
- Frequency (Hz): 50
- Length of electrical supply cord (cm): 150
- Type of plug: European

## **Dimensions**

- Dimension of packed product (mm): H890 x W670 x D665
- Dimension of product (mm): H857 x W598 x D550
- Built in dimensions (mm): H860 - 910 x W600 x D580
- Inlet / outlet hose (mm): 150 / 135
- Net weight (kg): 38.8
- Gross weight (kg): 42.3

## Product highlights



### **Clean Jet System**

A new nozzle system integrated into the upper basket sprays water directly to the bottom of glasses and wine decanters, producing brilliantly gleaming outcomes.



### **ICS+ Intelligent Control System**

Thanks to sensors, this programme adjusts the wash cycle's parameters (time, water, and temperature) based on the number of dirty dishes and their level of soiling. The result is always flawless.



### **Energy Consumption Indicator**

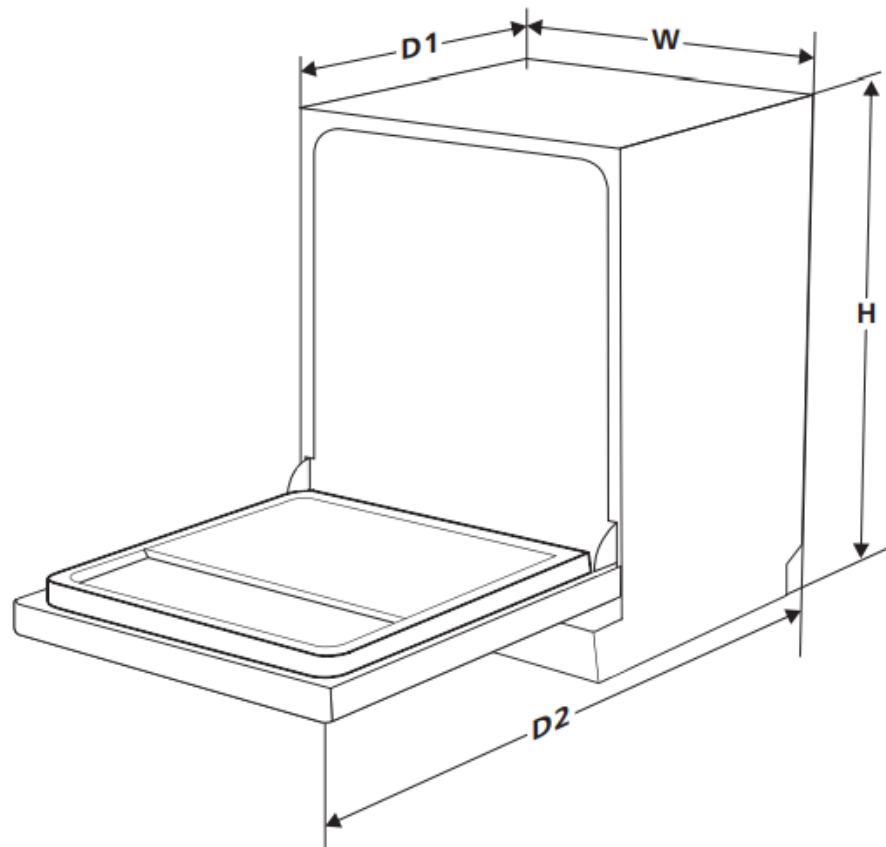
The consumption indicator shows water and energy consumption for a selected programme, with more bars indicating higher water consumption and more bars indicating higher energy consumption.



# 60CM FULLY INTEGRATED DISHWASHER DCJ632DQX



## Installation Diagram



<b>Height (H)</b>	857 mm
<b>Width (W)</b>	598 mm
<b>Depth (D1)</b>	550 mm (with the door closed)
<b>Depth (D2)</b>	1226 mm (with the door opened 90°)